

> TETRA PALETTO

DESIGNED FOR AMENITY AND AREA LIGHTING



TECHNICAL DESCRIPTION

Column	AISI 316 stainless steel body
Column Mounting	Flange mount
Diffuser	8mm anti-UV satin-finished polycarbonate
Protection	IP44
Finishes	Stainless steel

DIMENSIONS

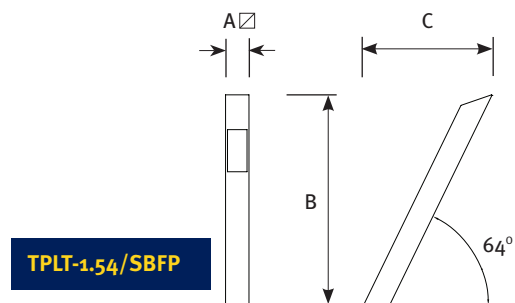
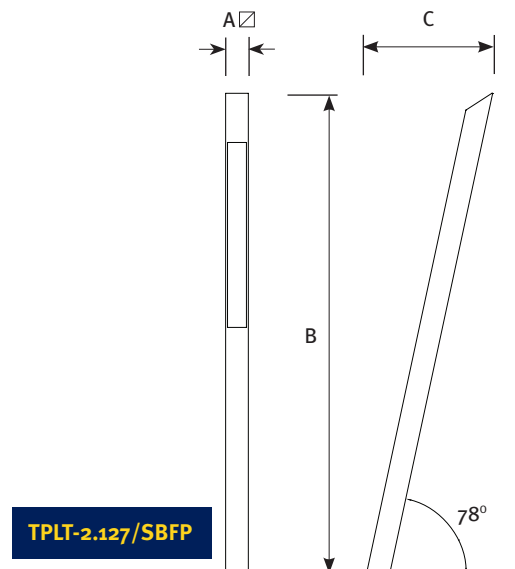
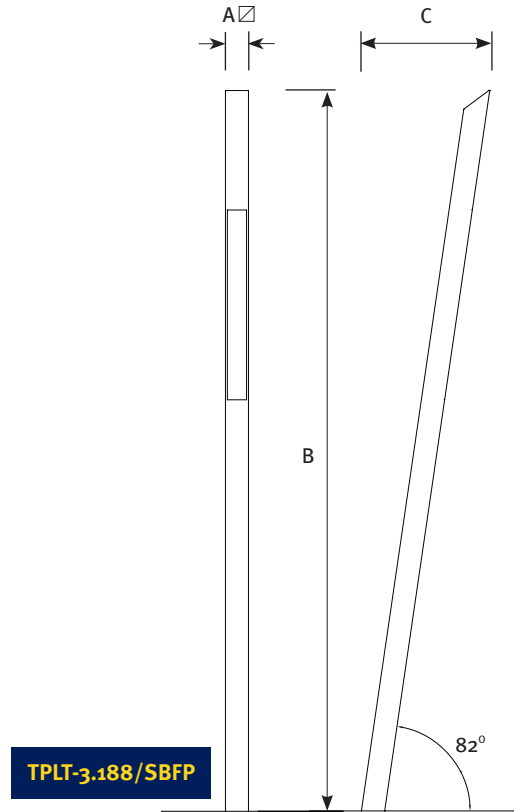
Type	A	B	C
TPLT-3.188/SBFP	60	1878	335
TPLT-2.127/SBFP	60	1270	332
TPLT-1.54/SBFP	60	540	330

LAMPS

TPLT-3 and TPLT-2



TPLT-1



FOR MORE INFORMATION PLEASE VISIT
WWW.KENDELIER.COM

