

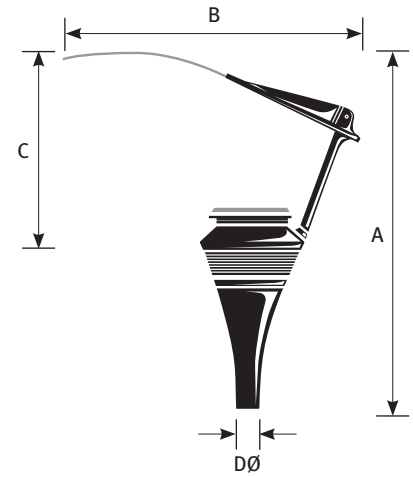
> IDELTA

DESIGNED FOR AMENITY AND AREA LIGHTING



TECHNICAL DESCRIPTION

Body	Pressure die-cast aluminium
Sail	Sheet aluminium 4mm thick (finished in white)
Reflector	Symmetrical made from high purity aluminium
Enclosure	Toughened glass
Mounting	Vertical - Ø 60mm x 100mm
Finishes	RAL 9011 Graphite black or forge grey. (alternative colour options on request)
Optic Water Tight	IP-65 IK10





DIMENSIONS AND WEIGHTS

Type	A	B	C	D Ø	WEIGHT kg
IDLT-25 /CLTG	1074	893	600	78	20

LAMPS

IDLT-25 /CLTG

	Rx7s HPS 70 HPS 150
	MH 70 MH 150

FOR MORE INFORMATION PLEASE VISIT
WWW.KENDELIER.COM

