

> VILANOVA BOLLARD

DESIGNED FOR OPEN SPACES AND PUBLIC AREAS

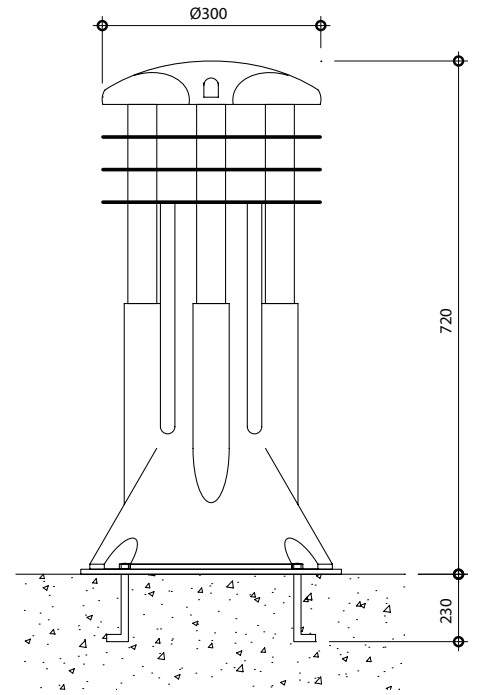


TECHNICAL DESCRIPTION







Top	Top cover die cast aluminium, lamp housing steel with anti-corrosion coating
Base	Cast iron
Diffuser	Opal methacrylic
Mounting	Flange mounted
Protection	IP54
Finishes	Base black forge and lamp housing/lamp cover steel grey. (alternative colour options on request)

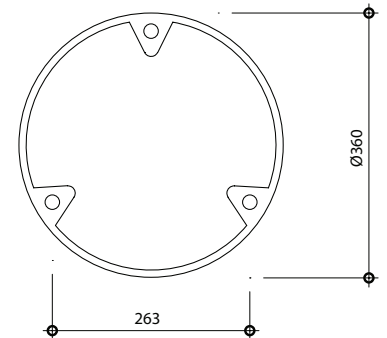
DIMENSIONS

Type	A Ø	B	C	D Ø	E
VLNB-720.F/OPAT.SY	300	720	230	360	263



LAMPS

	ES (E-27) FL 15W FL 20W FL 24W
	HPS 50 HPS 70
	MH 70
	G12 MH 35
	G24d-2 FL 18W
	G24d-3 FL 26W



FOR MORE INFORMATION PLEASE VISIT
WWW.KENDELIER.COM

